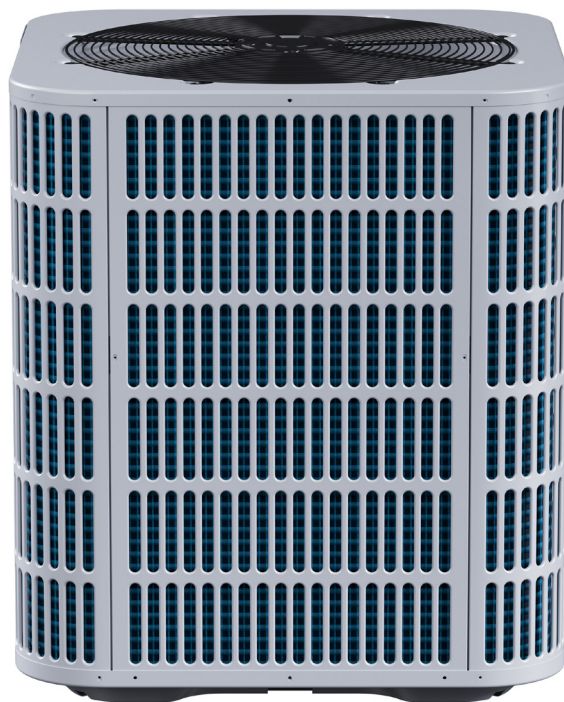

Comfort-Care® **Century**®

SE Series

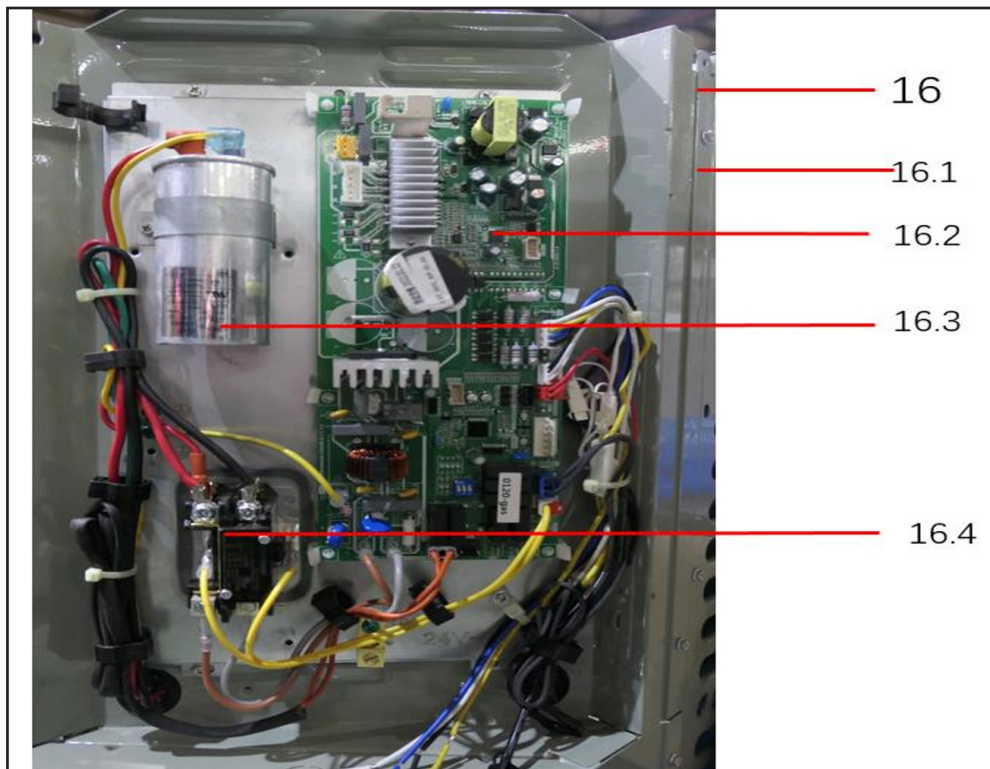
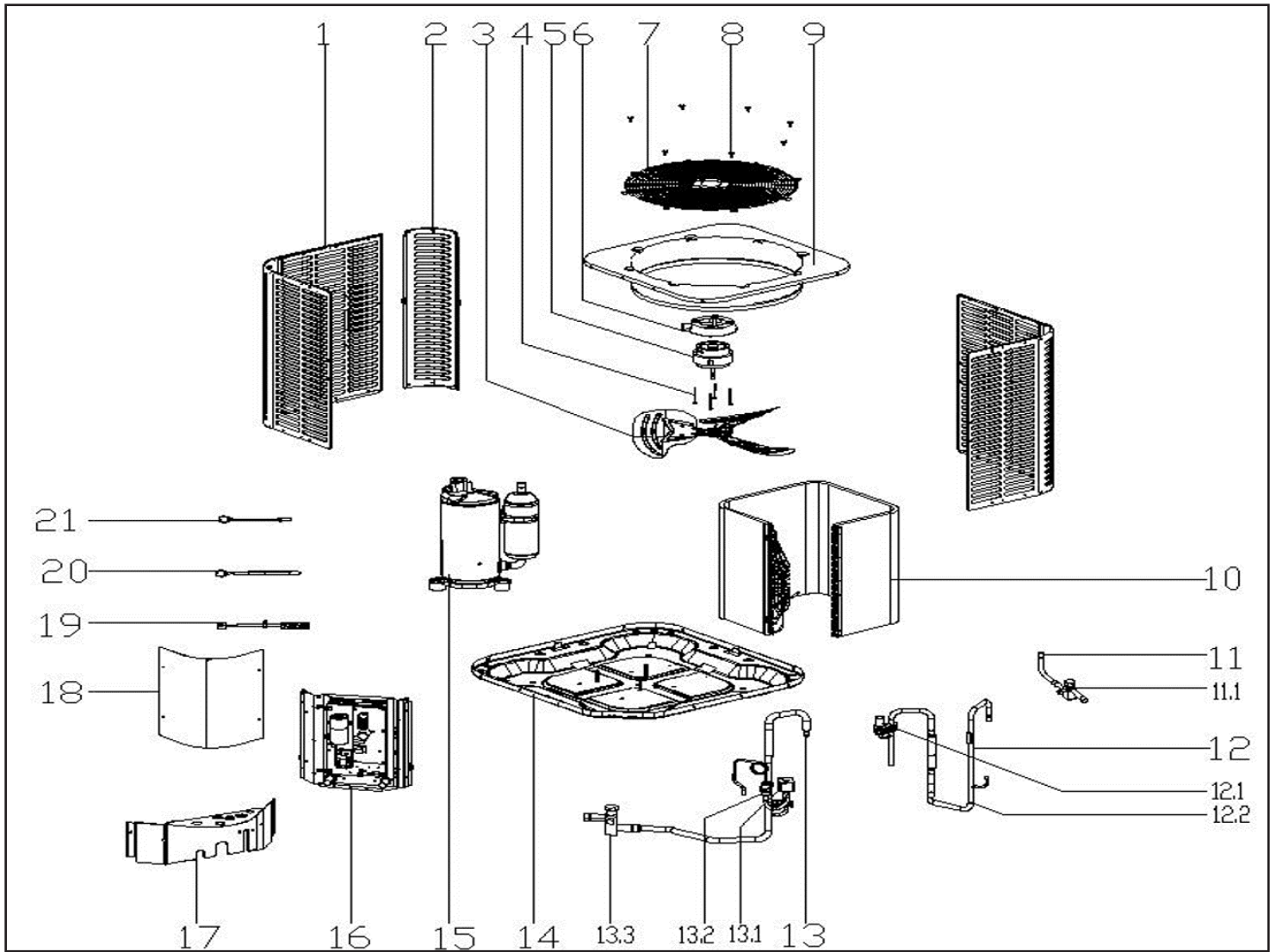
Split System Air Conditioner

RSA1430S1A

Parts List



MARS®



EX_ID	Spare Parts Code	Part Name(EN)	Qty.	Recommend store spare parts
1.1	12223000A02330	Side panel assembly	2	
1.2	12223000A02331	Side panel assembly	2	
2	12223000A02329	Support Plate	3	
3	12200104000032	Axial Flow Fan	1	
4	11301805000012	Motor Mounting bolt	4	
5	11002015016400	Brushless DC Motor	1	
6	12123000000464	Motor installation board ass'y	1	
7	12923000000028	Grille, top cover	1	
8	11301002000001	Stainless steel bolts	8	
9	12223000001097	Top cover assembly	1	
10	15823000000261	Condenser ass'y	1	
11	15423000003178	Stop valve ass'y	1	
11.1	15500206000018	Block valve	1	
12	15423000005822	Air discharge pipe assembly	1	
12.1	17400516000628	Pressure controller	1	
12.2	15500203000030	One-Way Valve	1	
13	15123000013576	Suction pipe assembly	1	
13.1	15500205000034	Solenoid vlave ass'y	1	
13.2	15500504000129	Strainer	1	
13.3	15500206000026	Block valve	1	
14	12223000002433	Base assembly	1	
15	11103010014509	Fixed Speed Rotary Compressor	1	
16.1	12223000015849	Installation plate of electric parts subassembly	1	
16.2	17123000A04026	Outdoor main control board assembly	1	
16.3	17400103000147	Capacitor	1	
16.4	11203502000032	AC contactor	1	
17	12223000016089	Side panel assembly	1	
18	12223000A05994	Side panel assembly	1	
19	17400513003814	Discharge Temperature switch	1	
20	11201007000073	Room Temperature Sensor	1	
21	11201007000136	Pipe Temperature Sensor	1	

Due to ongoing product improvements, specifications and dimensions are subject to change and correction without notice or incurring obligations. Determining the application and suitability for use of any product is the responsibility of the installer. Additionally, the installer is responsible for verifying dimensional data on the actual product prior to beginning any installation preparations.

Incentive and rebate programs have precise requirements as to product performance and certification. All products meet applicable regulations in effect on date of manufacture; however, certifications are not necessarily granted for the life of a product. Therefore, it is the responsibility of the applicant to determine whether a specific model qualifies for these incentive/rebate programs.

Comfort-Cire®  **Century**®

1900 Wellworth Ave., Jackson, MI 49203 • Ph. 517-787-2100 • www.marsdelivers.com

